

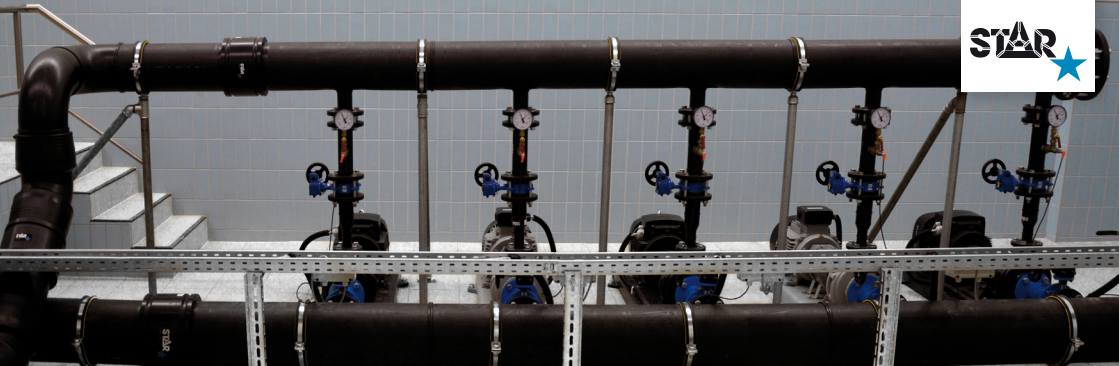


Customized solutions

www.star.de.com

up to
d 2000
mm

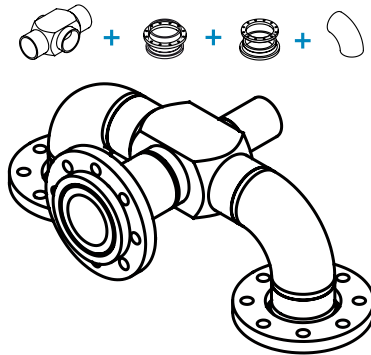




Advantages of PE 100

- + highly durable
- + chemically and saline water resistant
- + cost-effective
- + resistant to UV, weather, corrosion
- + physiologically safe
- + ecologically friendly
- + wide range of applications
- + high flexibility

You need a very special component?
We deliver customized solutions!



Plastic piping fittings up to d 2000 mm



References

STAR develops and produces innovative polymer piping systems, which are manufactured in Germany. We provide you with high-quality and efficient solutions for applications in supply, disposal and industrial, such as mining applications or desalination plants.

In addition to our high-quality standard fittings, seamless bends, electrofusion fittings and welding equipment we also offer prefabricated manifolds and spools such as for seawater intakes and processing. Our extensive product range gives you the possibility to obtain every-thing from a single source and for almost every building project. Our products mainly transport gas, drinking water, service water, waste water and solids.
www.star.de.com

